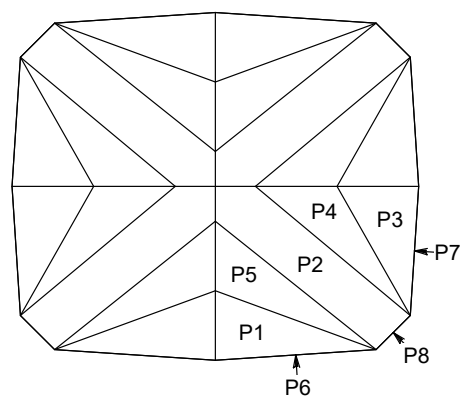
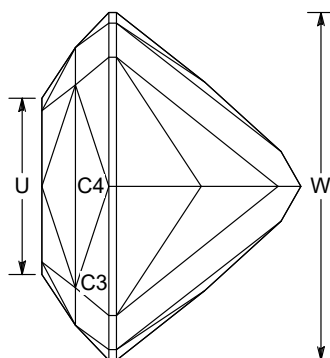
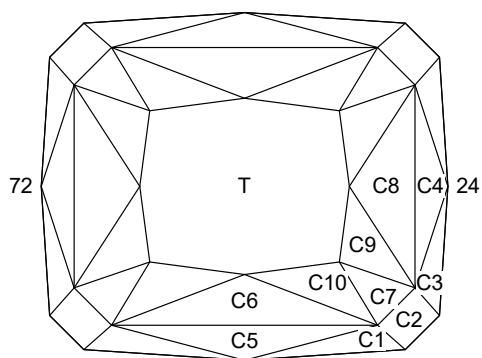
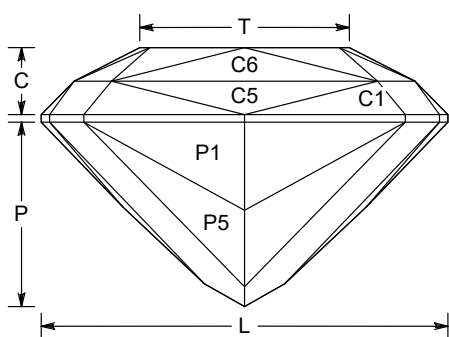


60 48 36



84 <96> 12



US00D138314B Doublet Stones

By S Bruhl, expired US design patent, Apr 1973

Angles for R.I. = 1.760

53 + 12 girdles = 65 facets

2-fold, mirror-image symmetry

96 index

L/W = 1.170 T/W = 0.603 U/W = 0.507

P/W = 0.530 C/W = 0.192

Vol./W³ = 0.368

PREFORM

PF1	30.00°	01-47-49-95	Cut to TCP
PF2	23.61°	12-36-60-84	Cut to TCP
PF3	26.27°	23-25-71-73	Cut to TCP
PF4	90.00°	01-47-49-95	Meet PF1, PF2
PF5	90.00°	12-36-60-84	Meet PF1, PF2, PF4
PF6	90.00°	23-25-71-73	Meet PF2, PF3, PF5

PAVILION

P1	51.80°	01-47-49-95	Cut to required depth
P2	38.82°	12-36-60-84	Meet P1, PF4, PF5
P3	46.15°	23-25-71-73	Meet P2, PF5, PF6
P4	43.49°	22-26-70-74	Meet P2, P3
P5	47.97°	02-46-50-94	Meet P1, P2

CROWN

C1	51.97°	01-47-49-95	Establish girdle width
C2	42.25°	12-36-60-84	Maintain girdle width
C3	51.97°	23-25-71-73	Maintain girdle width
C4	45.50°	24-72	Meet C3, PF6
C5	43.75°	96-48	Meet C1, PF1
C6	33.37°	96-48	Meet C1, C2, C5
C7	25.00°	12-36-60-84	Meet C1, C2, C3, C4, C5, C6
C8	27.01°	24-72	Meet C2, C3, C4, C7
C9	23.13°	22-26-70-74	Meet C2, C3, C4, C7, C8
C10	26.29°	02-46-50-94	Meet C1, C2, C5, C6, C7
T	0.00°	Table	Meet C6 - C10

Second design option for this patent. Patent highlights a doublet option on the crown which is not necessary.

Pavilion option modified for better performance. Angles for sapphire. Patent period has expired.

\\Mac\Home\Desktop\US00D138314B.gem